

1×N & 2×N PLC Splitters

PLC Splitter is Based on the Planar Waveguide Technology. It Provides a Low Cost Power Distribution Solution with Small Form Factor and High Reliability.

Features

- Low Insertion loss
- Low PDL
- High Return Loss
- Uniform Power Splitting
- Compact Design
- Wide Operating Wavelength
- Wide Operating Temperature
- Excellent Environmental & Mechanical Stability
- Qualified Under TELCORDIA GR-1221 and GR-1209



Applications

- FTTX (FTTB, FTTH, FTTC)
- Passive Optical Networks (PON)
- Local Area Networks (LAN)
- CATV Systems
- Test Equipments

Specifications(1×N Splitters):

Parameter		Unit	Value										
Product Type			1×2	1×3	1×4	1×6	1×8	1×12	1×16	1×24	1×32	1×64	1×128
Operating Wavelength		nm	1260~1650										
Insertion Loss	Typ.	dB	3.6	6.0	7.0	9.2	10.3	12.2	13.6	15.8	16.6	20.1	24.5
	Max.	dB	4.3	6.2	7.4	9.5	10.7	12.5	13.9	16.0	17.2	21.5	25.5
Uniformity (Max.)		dB	0.5	0.6	0.8	0.8	0.8	1.2	1.4	1.5	1.5	2.0	2.6
PDL(Max.)		dB	0.2	0.3	0.3	0.3	0.3	0.3	0.3	0.3	0.3	0.5	0.8
TDL(Max.)		dB	0.5										
Return Loss		dB	≥55(APC type connectors) / 50(UPC type connectors)										
Directivity		dB	≥55										
Operating & Storage Temperature		°C	-40~+85										

Note: All the data above does not include connectors.

UPC Connectors: IL add 0.2 dB, APC Connectors: IL add 0.3 dB.

Specifications(2×N Splitters):

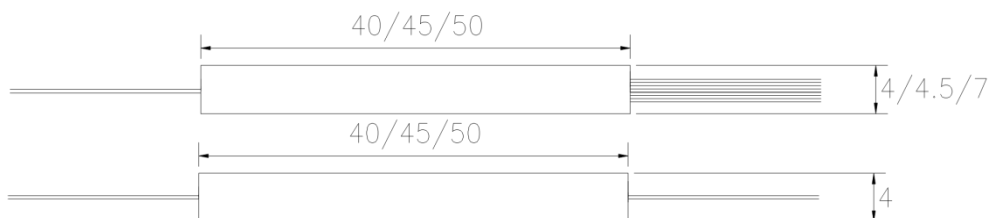
Parameter		Unit	Value						
Product Type			2×2	2×4	2×8	2×16	2×32	2×64	2×128
Operation Wavelength		nm	1260~1650						
Insertion Loss	Typ.	dB	4.2	7.2	10.6	13.8	17.0	20.5	24.8
	Max.	dB	4.5	7.7	11.0	14.8	17.9	21.5	25.8
Uniformity (Max.)		dB	0.8	1.0	1.2	1.5	1.8	2.5	3.0
PDL(Max.)		dB	0.2	0.3	0.3	0.3	0.3	0.5	1.0
TDL(Max.)		dB	0.5						
Return Loss		dB	≥55(APC type connectors) / 50(UPC type connectors)						
Directivity		dB	≥55						
Operating & Storage Temperature		℃	-40~+85						

Note: All the data above does not include connectors.

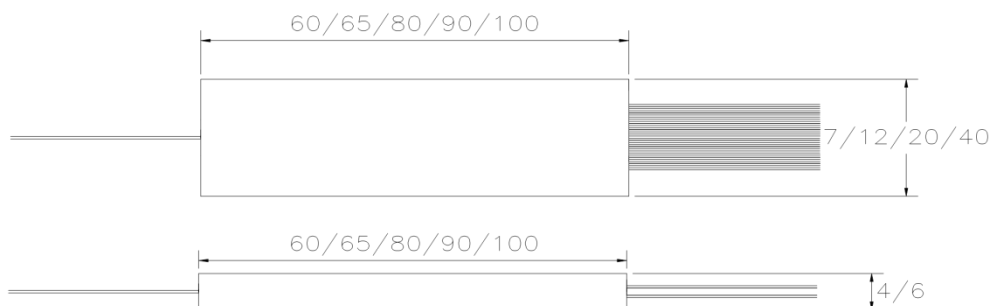
UPC Connectors: IL add 0.2 dB, APC Connectors: IL add 0.3 dB.

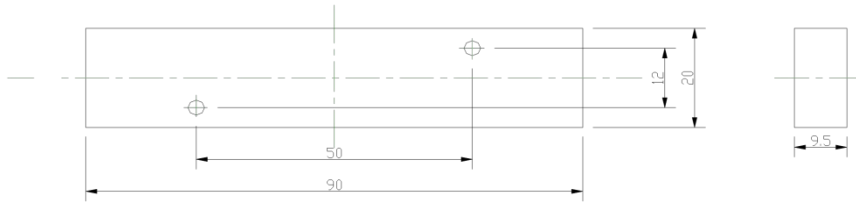
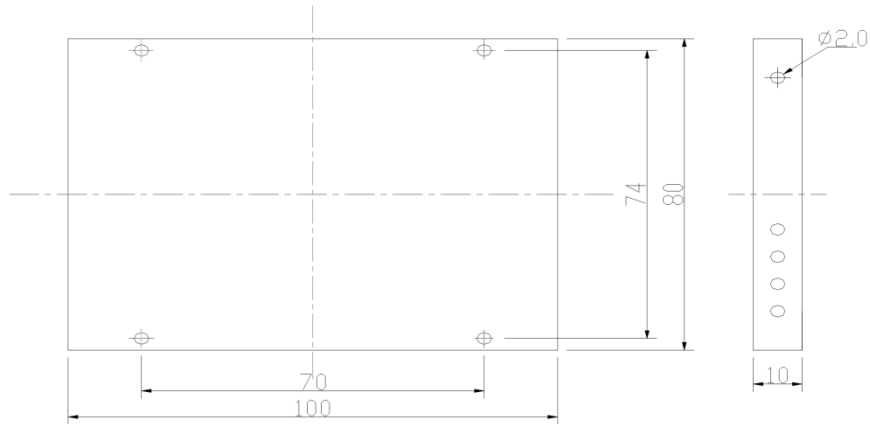
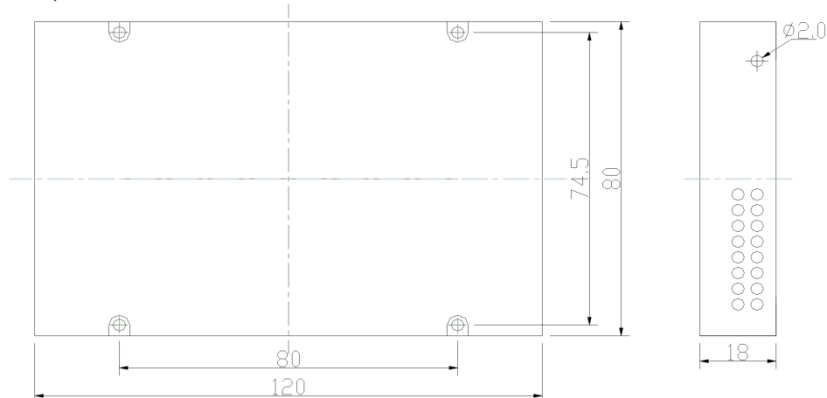
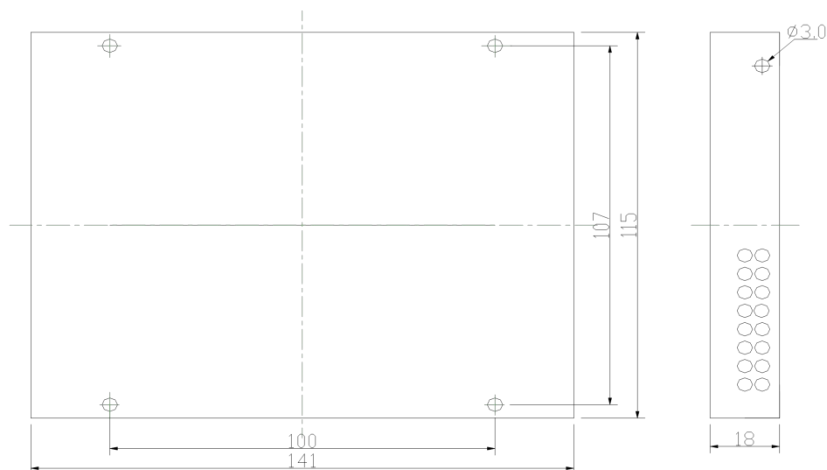
Device Schematic Drawing (unit: mm):
1. Stainless Steel Tube:

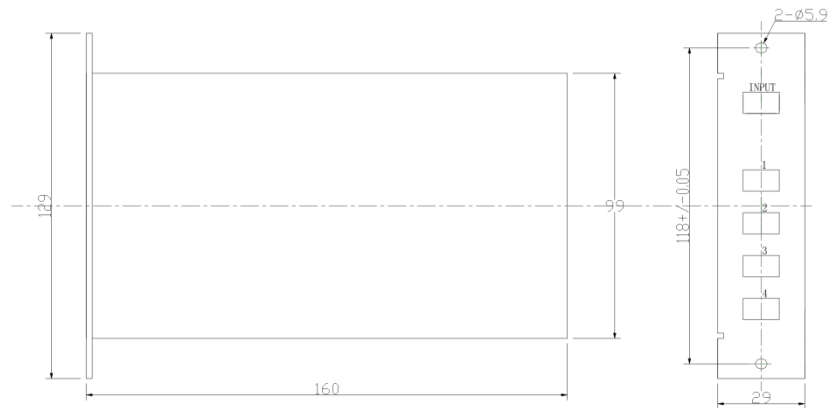
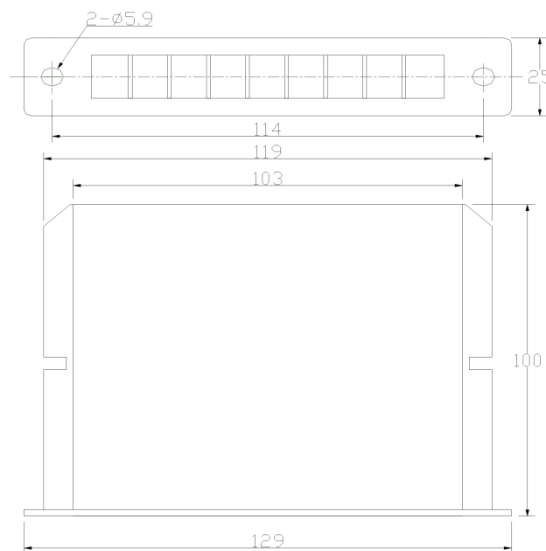
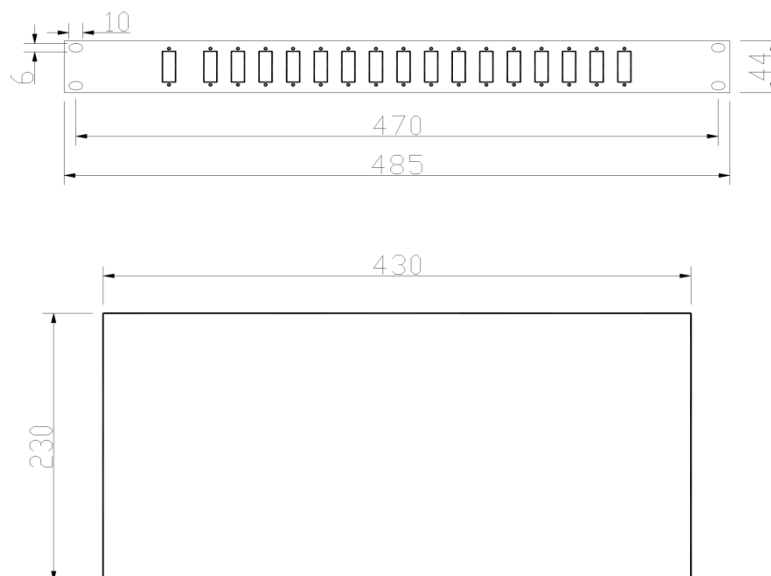
- 1) **A1** (40×4×4) / **A2** (45×4×4) / **A3** (45×4.5×4) / **A4**(50×7×4) :



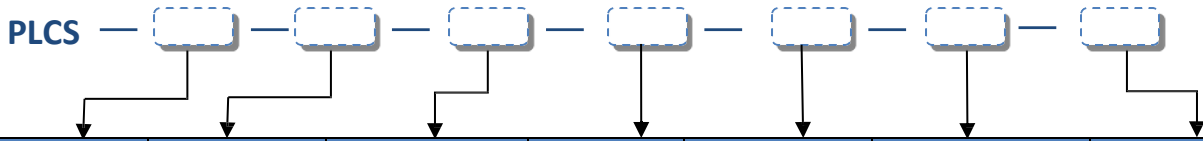
- 2) **A5**(60×7×4)/ **A6**(60×12×4)/ **A7**(65×7×4)/ **A8**(80×12×4)/ **A9**(80×20×6)/ **A10**(90×20×6)/ **A11**(100×40×6) :



2. Plastic Box:
1) D (90 X20 X9.5)

2) E (100 X80 X10)

3) K (120 X80 X18)

4) F (141 X115 X18)


3. LGX Box:

4. Cassette PLC Splitter

5. 19' Rack Mount:


Ordering Information:



Structure	Fiber Type	Package Type	Input type	Output type	Pigtail length	Connector type
Structure	0102=1x2, 0202=2x2, ..., 0164=1x64, 0264=2x64					
Fiber Type	1=G652D 2=G657A1 3=G657A2					
Package Type	A1, A2, ...F, K, U, G, C, T, R, X					
Input Type	L=900μm loose tube, T=900μm tight tube, S=2.0mm, R=3.0mm, B=250μm bare fiber, O=Adaptor					
Output Type	L=900μm loose tube, S=2.0mm, R=3.0mm, B=250μm bare fiber, F=splitter, O=Adaptor					
Pigtail Length	0.5M=0.5 meters, 1M=1.0 meters, 2M=2.0 meters, 10M=10 meters... 1M/2M=input 1 meter/output 2.0 meter O=adaptor, X=other					
Connector Type	FU=FC/UPC FA=FC/APC SU=SC/UPC SA=SC/APC ST=ST/UPC LU=LC/UPC LA=LC/APC 00=no connector MPO=MPO/UPC MPA=MPO/APC X=others FU/FA= input FC/UPC /output FC/APC.....					

Package Information:

Items	1x2	2x2	1x3	1x4	2x4	1x6	1x8(127)	1x8(250)	2x8
Ribbon Fiber	A1		/	A1	A3	/	A1		A3
Φ0.9 Steel Tube	A3			A5					
Φ0.9 Plastic Case	D		E						
Φ2.0 Plastic Case	D		E						
Φ3.0 Plastic Case	D		E						
19" Rack Mount	1U/2U/3U/4U								
LGX Box	1G/2G/3G/4G								
Items	1x12	1x16	2x16	1x24	1x32	2x32	1x64	2x64	
Ribbon Fiber	A3		A5	A4		A7		A6	
Φ0.9 Steel Tube	A6	A8			A9	A10	A11		
Φ0.9 Plastic Case	K							F	
Φ2.0 Plastic Case	K							F	
Φ3.0 Plastic Case	K							/	
19" Rack Mount	1U/2U/3U/4U								
LGX Box	1G/2G/3G/4G								
Cassette	4CH/8CH,16CH/32CH/64CH								
Pallet	4CH/8CH,16CH/32CH/64CH								
Splice Tray	Required dimension								

Package Dimension:

Code	Dimension	Code	Dimension
A1	40x4x4 Stainless Steel Tube	A12	55x7x4 Stainless Steel Tube
A2	45x4x4 Stainless Steel Tube	D	90x20x9.5 Plastic Box
A3	45x4.5x4 Stainless Steel Tube	E	100x80x10 Plastic Box
A4	50x7x4 Stainless Steel Tube	F	141x115x18 Plastic Box
A5	60x7x4 Stainless Steel Tube	K	120x80x18 Plastic Box
A6	60x12x4 Stainless Steel Tube	U	1U,2U,3U,4U 19" rack
A7	65x7x4 Stainless Steel Tube	G	1G,2G,3G,4G LGX' Aluminum Box
A8	80x12x4 Stainless Steel Tube	C	4CH/8CH/16CH/32CH/64CH Cassette
A9	80x20x6 Stainless Steel Tube	T	4CH/8CH/16CH/32CH/64CH Pallet
A10	90x20x6 Stainless Steel Tube	R	Splice Tray (required dimension)
A11	100x40x6 Stainless Steel Tube	X	Customized package

Photos of Products:

